



**INSPEKTO**  
AUTONOMOUS MACHINE VISION

**DATASHEET**

**INSPEKTO S70 GEN.2**



# SPECIFICATIONS

<b>Inspection</b>	
Inspection cycle time	~0.3 seconds (*1)
Part speed	Stationary / Continuous at up to 0.75 m/sec
Installation distance	10cm - 100cm
Minimal defect size	0.33mm @ 10cm distance W/O optical zoom (*2)
Optical zoom level	X10
Optics and lighting adjustment (Focus, exposure, gain, others)	Autonomous embedded anti-reflection adaptive lighting
Detection and positioning	Autonomous
Trigger type	Automatic / manual / PLC / trigger-in
Sensor color	Greyscale
Number of inspection profiles supported on a single S70	Unlimited (*3)
Number of actionable inspection areas	Unlimited
Lighting	Embedded, Anti-reflection adaptive lighting
<b>Code Reading(*4)</b>	
2D Code	QR, DMC
1D barcode	EAN-13/UPC-A, UPC-E, EAN-8, Code 128, Code 39, Interleaved 2 of 5
<b>Controller</b>	
OS	Linux (Ubuntu distribution)
Networking	Ethernet   Wi-Fi
Industrial connectivity	Profinet, Ethernet/IP, TCP/IP, Digital I/O, Discrete I/O
Weight	4.5 kg
Dimensions - height, width, depth	110.5 mm, 225 mm, 240 mm
<b>Monitor</b>	
Size	21.5"
Resolution	1920 x 1080 at 60 Hz
Dimensions - height, width, depth	293.4 mm, 487.3 mm, 41.3 mm
<b>Mounting</b>	
Industrial grade adjustable mounting system	Adjustable arm; long arm' short arm; 3 connectors; knuckles
Mounting tools & accessories	2 screws, T-nuts & Allen wrench supplied
Cobots mounting	Ready for cobot mounting
<b>Power</b>	
Power Supply	100-240 Volt – 3 sockets for: Controller, Lighting, Monitor
Controller DC Input	1x 3-pin pluggable terminal block for 8-35VDC
<b>Environmental</b>	
Operating Temperature	Operating ambient range is of 10 to 38 °C (50 to 100 °F)
Humidity	20-80%
Maximum operating altitude	2000 m asl.
Outdoor/Indoor usage	Indoor only
(*1) Cycle time may vary & depends on image grabbing method, triggering method and other factors. (*2) Minimal defect size is depending on the Vision System distance from the inspected part. (*3) Requires TYPES™ application (*4) Requires CODES™ application installation.	

# PRODUCT DIMENSIONS

The **INSPEKTO S70 Gen. 2** is a self-contained visual inspection product. It comes ready to connect directly to your production line and your PLC with everything you need for deployment, in the box.

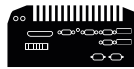
## What's in the box



**Vision System**



**Software**



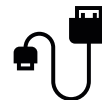
**Industrial Controller**



**Mounting assembly**



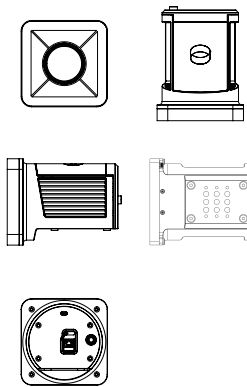
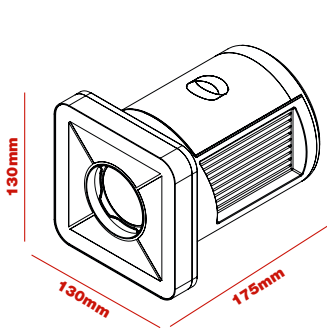
**Keyboard & mouse**



**Cables**



**Monitor**



## Vision system

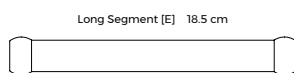
Fully integrated vision system includes:

- Camera & lens (X10 optical zoom)
- Anti-reflection adaptive lighting
- Vibrations sensor
- Quick release mounting adaptor

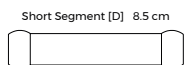
## Mounting Assembly

Flexible ruggedized industrial mounting assembly for installation in various modes, adaptable to any setting.

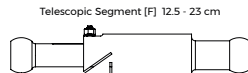
3 arm segments (long, short, adjustable) and 3 joints



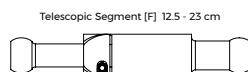
Long Segment [E] 18.5 cm



Short Segment [D] 8.5 cm

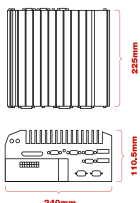
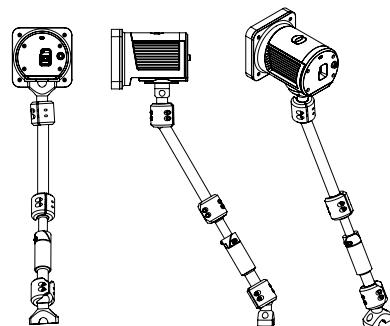


Telescopic Segment [F] 12.5 - 23 cm



Telescopic Segment [F] 12.5 - 23 cm

## Sample setting



## Industrial Controller

Ruggedized edge computing controller  
Pre-installed INSPEKTO QUALIFY™ application



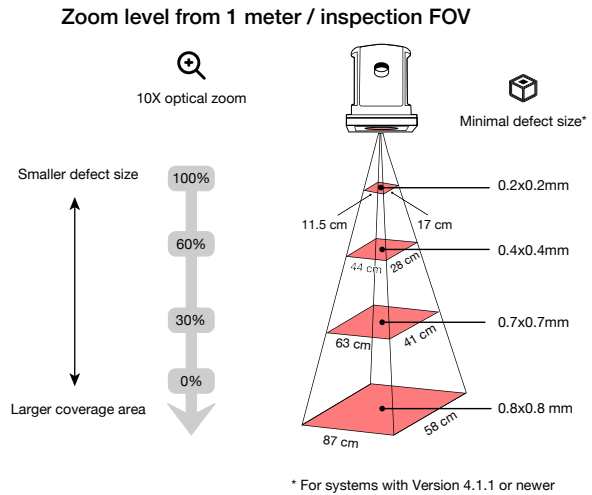


## Wiring Diagram

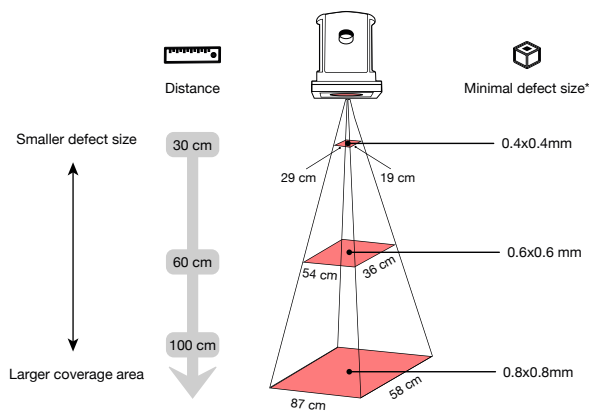
- PLC digital I/O connectivity
- Fast and easy wiring

## Inspection Field of View and minimal defect size

Wide range of part sizes and minimal defect sizes detection.



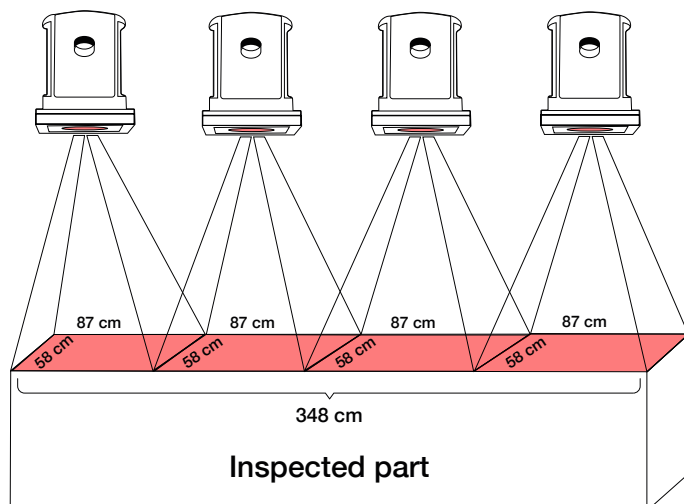
## Vision Sensor distance from part / inspection FOV



Correlated to the Vision System set-up distance from the inspected part and the level of the used optical zoom as described in the diagram.

## Flexible set-up

The parameters of the vision system can be modified to inspect larger products by incorporating multiple systems along the production line.





**inspekto.com**

**+49 (0)179 5432139**

**Israel Headquarters**

Moshe Aviv Tower  
7 Jabotinsky Road  
Ramat Gan 5252007  
ISRAEL

**+972 73 3678187**

**European Headquarters**

Wirtschafts- und Technologiezentrum  
Im Zukunftspark 10  
74076 Heilbronn  
GERMANY

**+49 7131 7456410**

